

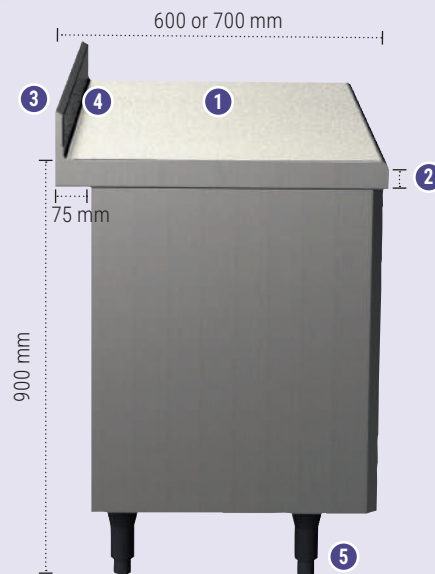
FURNITURE

Rounded-edge storage

The rounded-edge range meet the requirements of the architects and kitchen consultants for the tenders.



SCAN ME
and download all the technical
datasheets of the range!



- 1 Work top in AISI 304L stainless steel, reinforced with a 19mm thick water-resistant melamine panel
- 2 Welded corners with 20 mm radius front edge, dropped 60 mm
- 3 Backsplash with 30° slope edge 100 x 20 mm (rear closed optional)
- 4 10 mm curve
- 5 Black ABS feet Ø 40 mm H 155 mm adjustable up to 70 mm

FOCUS ON...



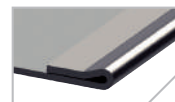
Welded corners



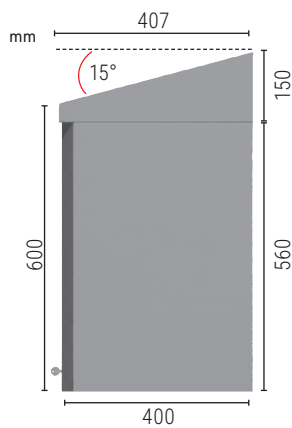
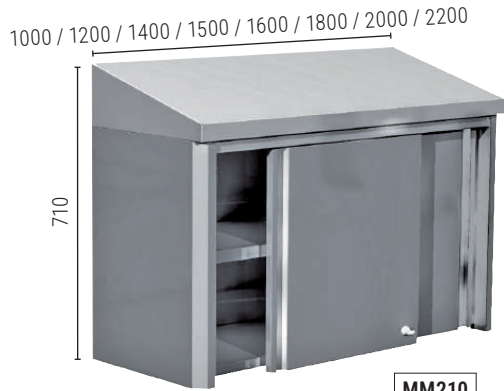
ROBUSTNESS: Strengthened edges

HYGIENE: Hanging sliding doors without lower rail

SAFETY: Crushed fold non-harmful



Standard wall cupboards



- Stainless steel
- 2 hanged sliding doors
- 1 internal adjustable shelf
- Supplied assembled with 2 wall plates
- Max. load: 50 kg divided between shelves
- With lock

HEIGHT 710 mm	SINGLE PANEL DOORS AND WALLS		WITH DOUBLE PANEL DOORS AND WALLS	
	L X D mm	Kg	Ref.	Ref.
	1000 x 407	32	MM210	MM310
	1200 x 407	35	MM212	MM312
	1400 x 407	38	MM214	MM314
	1500 x 407	42	MM215	MM315
	1600 x 407	44.6	MM216	MM316
	1800 x 407	48.5	MM218	MM318
	2000 x 407	54	MM220	MM320
	2200 x 407	60	MM222	MM322

Shipping within 48h

► **CUSTOMIZED LENGTH** (2200 mm max.) / price of the lower length x 1,15

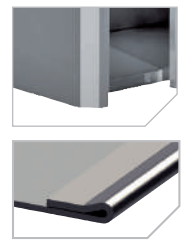


ROBUSTNESS: cut sides reinforcing the rigidity of the stainless steel panels

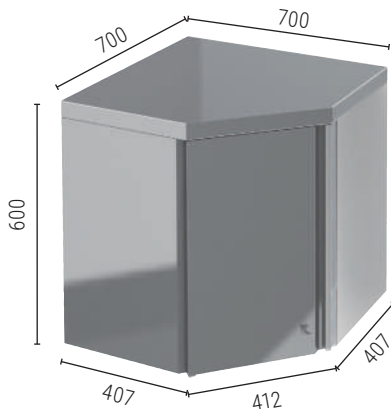
HYGIENE: Hanging sliding doors without lower rail to prevent any deposits - Smooth top and floor and sloping at 15° to comply with hygiene standards

SAFETY: Crushed folds non-harmful

QUALITY: Slope top with welded edges



Corner wall cabinet



- Stainless steel
- Double panel door
- Flat top compulsorily
- 1 hinged door (width 412 mm) with internal handle and right or left hinge
- With lock
- 1 internal adjustable shelf

HEIGHT 600 mm		RIGHT HINGE	LEFT HINGE
L X D mm	Kg	Ref.	Ref.
(700 x 700) x 407	25.6	MM1A	MM1AG

Options for standard wall cupboards



MMSBAC



MMLED

Designation	Ref.
GN1/3 stainless steel gastronorm container: Depth: 100 mm - Supplied with set of 2 runners - To fix by yourself under the wall cupboard MM serie	MMSBAC
LED lighting package deal: Under MM2/MM3 units MM2/3 furniture must be ordered as the same time as the option (no later installation possible because of the wiring required in the metal sheeting of the unit)	MMLED
Container option (MMSBAC) and LED package (MMLED) are not compatible.	

Without door - Add SP to the end of the reference - No extra cost

Shipping within 48h



Length 1000 : max. 4 containers
Length 1200 : max. 5 containers
Length 1400 : max. 6 containers
Length 1500 : max. 6 containers
Length 1600 : max. 7 containers
Length 1800 : max. 8 containers
Length 2000 : max. 9 containers
Length 2200 : max. 10 containers

Coloured doors
option page 100



Standard low furniture with top with rounded edges

- Top in AISI 304L stainless steel
- Schematic and dimensions page 97
- 2 hanging sliding doors without lower rail (4 doors for length 2400 mm) - Internal handles - Lock
- 1 internal adjustable shelf
- Maximum load : 50 kg distributed on the shelves
- On black ABS feet Ø 40 H 155 mm, adjustable up to 70 mm
- Supplied with assembled top

- Also available with an **integrated sink bowl** (page 73)
- Also available with an **integrated chef's sink bowl** (page 44)



ROBUSTNESS: Strengthened edges
HYGIENE: Hanging sliding doors without lower rail
SAFETY: Crushed fold non-harmful



MC218



MD218



MD212RX

WIDTH 600

Height 900 mm	WITH CENTRAL TOP				WITH BACKSPASH			
	SINGLE PANEL DOORS AND SIDES		WITH DOUBLE PANEL DOORS AND SIDES		SINGLE PANEL DOORS AND SIDES		WITH DOUBLE PANEL DOORS AND SIDES	
L X D mm	Kg	Ref.	Kg	Ref.	Kg	Ref.	Kg	Ref.
1000 x 600	51	MC2610	55	MC3610	51	MD2610	60	MD3610
1200 x 600	62	MC2612	63	MC3612	62	MD2612	63	MD3612
1400 x 600	72	MC2614	72	MC3614	72	MD2614	83	MD3614
1500 x 600	77	MC2615	77	MC3615	77	MD2615	88	MD3615
1600 x 600	82	MC2616	82	MC3616	82	MD2616	94	MD3616
1800 x 600	93	MC2618	93	MC3618	93	MD2618	106	MD3618
2000 x 600	103	MC2620	103	MC3620	103	MD2620	116	MD3620
2200 x 600	113	MC2622	126	MC3622	113	MD2622	126	MD3622
2400 x 600*	123	MC2624	136	MC3624	123	MD2624	136	MD3624

WIDTH 700

Height 900 mm	WITH CENTRAL TOP				WITH BACKSPASH			
	SINGLE PANEL DOORS AND SIDES		WITH DOUBLE PANEL DOORS AND SIDES		SINGLE PANEL DOORS AND SIDES		WITH DOUBLE PANEL DOORS AND SIDES	
L X D mm	Kg	Ref.	Kg	Ref.	Kg	Ref.	Kg	Ref.
1000 x 700	59	MC210	68	MC310	59	MD210	68	MD310
1200 x 700	70	MC212	80	MC312	70	MD212	80	MD312
1400 x 700	82	MC214	93	MC314	82	MD214	93	MD314
1500 x 700	88	MC215	99	MC315	88	MD215	99	MD315
1600 x 700	94	MC216	106	MC316	94	MD216	106	MD316
1800 x 700	106	MC218	119	MC318	106	MD218	119	MD318
2000 x 700	118	MC220	130	MC320	118	MD220	130	MD320
2200 x 700	130	MC222	141	MC322	130	MD222	141	MD322
2400 x 700*	140	MC224	152	MC324	140	MD224	152	MD324

Shipping within 48h

Options page 100



*Length 2400 mm : each furniture is made of 2 standard low furniture of 1200 mm with a 2400 mm length worktop. For these references, the specificity is to have 4 sliding doors instead of 2.

Extra cost for 2 mm thick stainless steel sheet on customized furniture : consult us

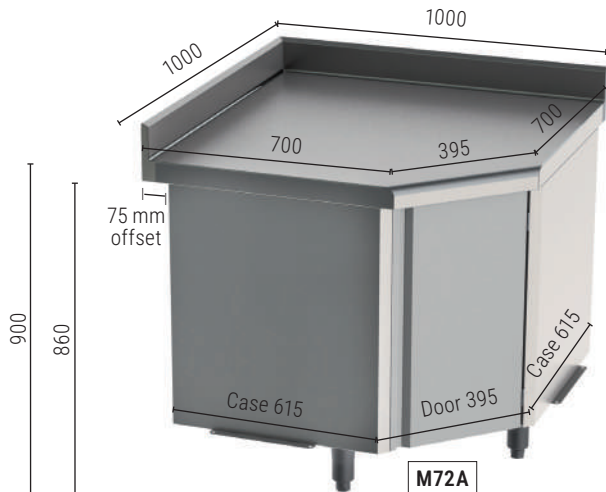


MC324

Length 2400 mm, 2 x MC312
 + 1 top 2400 mm

► **CUSTOMIZED LENGTH** (max. 2200 mm) / Price of the lower length x 1,15

Corner base cabinet for 700 mm furniture



- AISI 304L stainless steel
- 1 hinged doubled door (without lock)
- Right or left hinge
- ABS feet Ø 40, H 155 mm adjustable up to 70 mm
- 1 internal low shelf
- Worktop with 100 x 20 mm, 30° sloping backsplash, 1.5mm stainless steel sheet strengthened with 19 mm water-resistant wood panel. Rounded front edge 20 mm radius with 60 mm thickness of the worktop

HEIGHT 900 mm		RIGHT HINGE	LEFT HINGE
L X D mm	Kg	Ref.	Ref.
(1000 x 1000) x 700	71.6	M72A	M72AG

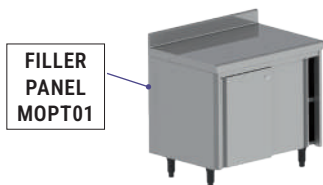
Corner top



- Only for cabinet with backsplash 600 or 700 mm depth
- Supplied with filler panel

L X D mm	Ref.
600 x 600	MDRA606
700 x 700	MDRA707

Stainless filler panels and skirting



Designation	Ref.
Stainless filler panels to conceal the rear protrusion (pipe space) - for units with backsplash - Per unit	MOPT01
Stainless skirting for units type MC/MC (fixed price for both sides)	MOPT02C
Stainless skirting for units type MC/MC (per metre for the front)	MOPT02F

Coloured doors option for units



i Choice of over 200 colours! (RAL colour chart)

- Epoxy paint: powder sprayed on by electrostatic gun
- 2 finishes available: matt or glossy
- Stainless anti-corrosion quality conserved

Ref.	
MEU-COLOR	Extra cost according to the dimensions and the number of doors to paint - SUBJECT TO QUOTE

Options for standard low furniture

OPTIONS FOR LOW FURNITURE	Ref.
4 stainless steel feet H 155 mm - Add X to the end of the reference	.../X
Semi-mobile option : 2 castors stainless cover without brake and 2 stainless adjustable legs in front - Add SMX to the end of the reference	.../SMX
4 stainless steel castors* Ø 125 mm (2 with brake) - Add RX to the end of the reference	.../RX
Rear backsplash closure	TFD

* Stainless steel castors option available only for furniture 700 mm width.



Passthrough cabinet, rounded edge low furniture

- Work top in AISI 304L stainless steel, reinforced with a 19 mm thick water-resistant melamine panel
- 4 hanging sliding doors without lower rail
- 1 internal adjustable shelf
- Locks
- Maximum load on the intermediary shelf : 50Kg distributed all over the shelf
- On black ABS feet Ø 40 mm and 155 mm height
- Single panel doors



HYGIENE: Hanging sliding doors without lower rail to prevent any waste deposits 1.5 mm thickness top



Front and rear 20 mm radius rounded edges, 60 mm thick work top



MC216T

HEIGHT 900 mm		ON ABS FEET	ON STAINLESS STEEL CASTORS
L X D mm	Kg	Ref.	Ref.
1000 x 700	59	MC210T	MC210TRX
1200 x 700	67	MC212T	MC212TRX
1400 x 700	76	MC214T	MC214TRX
1600 x 700	84	MC216T	MC216TRX
1800 x 700	93	MC218T	MC218TRX
2000 x 700	101	MC220T	MC220TRX
2200 x 700	110	MC222T	MC222TRX
2400 x 700*	118	MC224T	MC224TRX

* MC224T = 2 x MC212T with a top 2400 mm long, = 8 sliding doors

OPTION	Ref.
4 stainless steel feet - Add X to the end of the ref.	.../X

2 sliding doors cabinet + 3 x GN1/1 gastronorm drawers unit

2 sliding doors furniture:

- AISI 304L stainless steel - 2 hanging sliding doors - Internal handles - 1 internal adjustable shelf, maxi load : 50 kg - Black ABS feet H 155 mm adjustable up to 70 mm - With lock

3 GN 1/1 gastro drawers unit:

- AISI 304L stainless steel - Internal handles - Can take GN1/1 gastro trays (non supplied) - On runners

Length 1500 mm

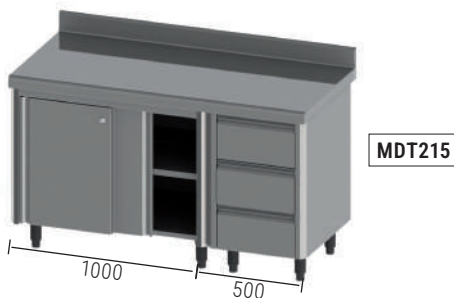
Unit made up of:

- 1 low cabinet with 2 sliding doors length 1000 mm (Ref. MD210, see page 99),
- 1 GN1/1 3 drawers unit length 500 mm on the right,
- 1 x top length 1500mm AISI 304L stainless steel with 20 mm radius front rounded edge and rear backsplash

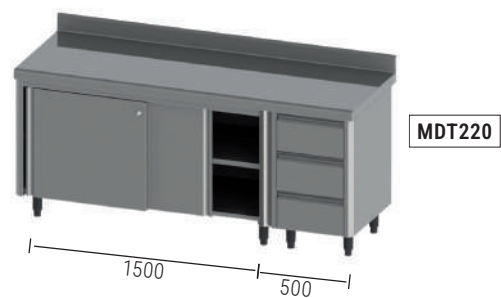
Length 2000 mm

Unit made up of:

- 1 low cabinet with 2 sliding doors length 1500 mm (Ref. MD215, see page 99),
- 1 GN1/1 3 drawers unit length 500 mm on the right,
- 1 x top length 2000mm AISI 304 L stainless steel with 20 mm radius front rounded edge and rear backsplash



MDT215



MDT220

LENGTH 1500

L x D x H mm	Kg	Ref.
1500 x 700 x 900	87	MDT215

LENGTH 2000

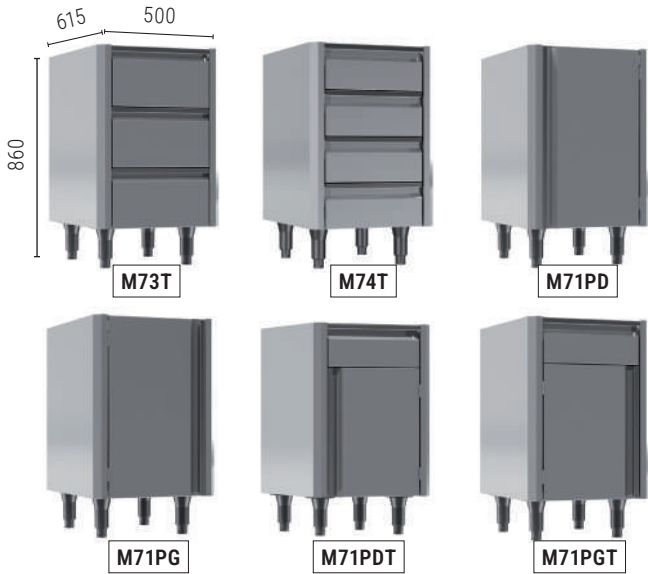
L x D x H mm	Kg	Ref.
2000 x 700 x 900	122	MDT220

Low furniture without work top

- Stainless steel
- On composite feet Ø 40 mm height 155 mm, adjustable up to 70 mm (max. height 220 mm)
- Doubled swing doors, no lock - Internal handles
- Dimensions of the body without work top : width 615 mm x height 840 mm (feet included)
- Dimensions with work top : width 700 x height 900 mm

Mix and match!
Organise your space as you need by combining several units and a work surface

Length 500 mm without work top - with hinged door and/or drawers

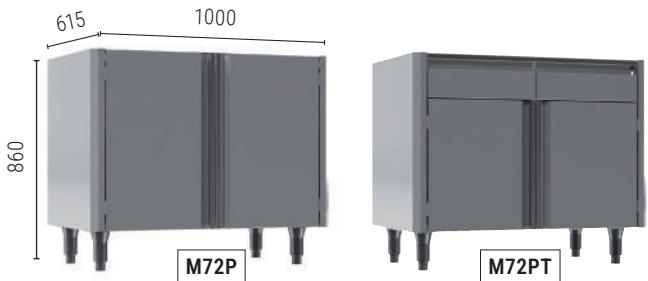


- Adjustable inner shelf (on M71PD, M71PG and M72P)

LENGTH 500		
Designation	Kg	Ref.
3 drawers GN1/1	30	M73T
4 drawers GN1/1	33	M74T
1 hinged door (right hinges)	28	M71PD
1 hinged door (left hinges)	28	M71PG
1 hinged door + 1 drawer (right hinges)	30	M71PDT
1 hinged door + 1 drawer (left hinges)	30	M71PGT

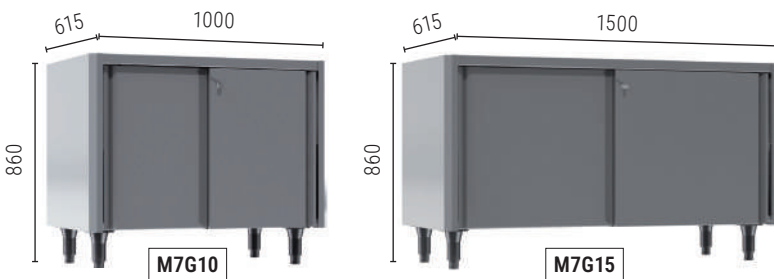
+ Double panel doors

Length 1000 mm without work top - with hinged doors and/or drawers



LENGTH 1000		
Designation	Kg	Ref.
2 hinged doors	56	M72P
2 hinged doors + 2 drawers	60	M72PT

Length 1000 or 1500 mm without work top - with sliding doors



- Suspended sliding doors, no doubled, with lock
- Adjustable inner shelf

LENGTH 1000 or 1500		
Designation	Kg	Ref.
2 sliding doors length 1000 mm	56	M7G10
2 sliding doors length 1500 mm	80	M7G15

Rounded edge stainless steel work top, width 700 mm (to be added on references above)

- 1.5 mm thickness, reinforced with an adhesive melamine panel water repellent
- Welded corners - Front 20 mm curve dropped 60 mm



Length mm	Kg	CENTRAL TOP	WITH BACKSPASH *
		Ref.	Ref.
500	16	DCA705	DDA705
1000	31	DCA710	DDA710
1500	46.8	DCA715	DDA715
2000	62	DCA720	DDA720

*Backplash at a 30° angle 100 x 20 mm



Low furniture combination

Length 500 mm



M05RA = M71PDT + DDA705



M05RB = M73T + DDA705

LENGTH 500		
L x D x H mm	Kg	Ref.
500 x 700 x 900	44	M05RA
	46	M05RB

Length 1000 mm



M10RA = M72P + DDA710



M10RB = M74T + M71PD + DDA710

LENGTH 1000		
L x D x H mm	Kg	Ref.
1000 x 700 x 900	87	M10RA
	92	M10RB

Length 1500 mm



M15RA = M72PT + M74T + DDA715



M15RB = M72P + M71PD + DDA715

LENGTH 1500		
L x D x H mm	Kg	Ref.
1500 x 700 x 900	135.8	M15RA
	130.8	M15RB

Length 2000 mm



M20RA = M73T + M72P + M74T + DDA720



M20RB = M71PGT + M72P + M74T + DDA720



M20RC = M71PD + M72PT + M74T + DDA720



You would like another combination?
Choose your individual furnitures and a work top bench (page 102).

*And for your corner compositions,
choose in addition the low corner cabinet
(Ref. M72A page 100)*



LENGTH 2000		
L x D x H mm	Kg	Ref.
2000 x 700 x 900	181	M20RA
	179	M20RB
	179	M20RC

Options for low furniture

Designation	Ref.
4 stainless steel feet - Add X to the end of the reference	.../X
4 stainless steel castors Ø 125 mm (2 with brake) - Add RX to the end of the reference	.../RX
Rear backsplash closure	TFD

Ventilated heated cabinet with rounded edges

- All stainless steel fixture
- Height 900 mm adjustable, width 700 mm
- Easy to clean: All storage levels smooth and without obstacles
- Interior heating by blown hot air
- 2000W, 230V single phase (400V, 3 phase + N optional)
- Protective fuse box integrated into the fixture
- Electronic control and digital temperature display
- Reinforced top 1.5 mm thickness
- Double and ROCK WOOL insulated side panels
- Intermediary shelf with 60 mm thick work top and counter fold, edge clearance of 30 mm for a perfect circulation of the hot air on each side of the shelf
- Reinforced base with round feet adjustable for a height of 850 or 900 mm
- Double skin insulated sliding doors, suspended on a stainless steel rail with no exposed guide at the bottom (removable without tools: easy cleaning incorporated)
- On composite feet (stainless steel feet optional)

SCAN ME
for the video
demonstration!



+

Holds food core temperature at 65°. Warming of plates and bowls. Even heating thanks to double convection and hot air circulation around the shelves



MEC/D2 model

HEIGHT 900 mm			CENTRAL T	WITH BACKSPLASH
L X D mm	kW	Kg	Ref.	Ref.
1200 x 700	2	89	MEC212	MED212
1400 x 700	2	91	MEC214	MED214
1600 x 700	2	101	MEC216	MED216
1800 x 700	2	111	MEC218	MED218
2000 x 700	2	121	MEC220	MED220

Options



Designation	Ref.
4 stainless steel feet - Add X to the end of the reference	.../X
4 stainless steel castors Ø 125 mm (2 with brake) - Add RX to the end of the reference	.../RX
2 mm table top, per lm	MOPT203
Heating top (lump sum) incompatible with ECR2 and ECR4 shelves	MOPT204
3 phase	MOPT205
Pass through model : 4 sliding doors (lump sum) (only MEC2)	MOPT208
2 mm table top with stainless steel strengtheners for fixing heating shelf type ECR2	MOPT206
2 mm table top with stainless steel strengtheners for fixing heating shelf type ECR4	MOPT207

➤ **CUSTOMIZED: CONSULT US**



Heating shelf

- Base with threaded inserts
- Shelf 380 mm wide in stainless steel 15/10^e (1.5 mm) on 1 level, overall width 420 mm - Height 400 mm
- Protected infra-red ceramic radiant
- Energy doser
- Specify the position of the shelf on the width of the work top for drilling



- **Shelf with 2 feet fixed to the heating cabinet :**
The cabinet (MEC/D2) must be ordered at the same time as the shelf
- Work top or furniture in 20/10 required with stainless steel reinforcement to prevent deformations (Option MOPT206/207, page 104)
- **Shelves non compatible with heating top (MOPT204)**

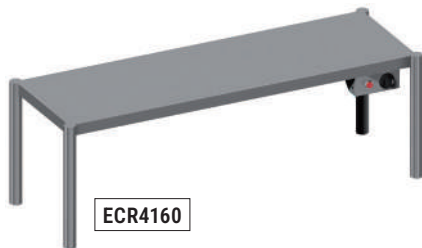


MEC216RP + ECR2160 + MOPT206



Heating shelf with 4 columns

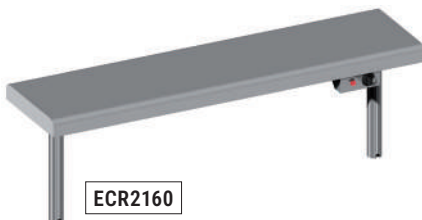
- 4 columns in stainless steel round tube, Ø 38 mm, to be fixed on a table



Shelf length mm	kg	Table length mm	W	Radiants	Ref.
1100	22	1200	600	2	ECR4120
1300	24	1400	900	3	ECR4140
1500	26	1600	900	3	ECR4160
1700	29	1800	1200	4	ECR4180
1900	32	2000	1200	4	ECR4200

Heating shelf with 2 columns

- 2 columns stainless steel round tube, Ø 50 mm, to be fixed on a table
- Finished stainless steel collar with high shelf base



Shelf length mm	kg	Table length mm	W	Radiants	Ref.
1200	22	1200	600	2	ECR2120
1400	24	1400	900	3	ECR2140
1600	26	1600	900	3	ECR2160
1800	29	1800	1200	4	ECR2180
2000	32	2000	1200	4	ECR2200

